

# Automatic Crispy Sticks Processing Line

**Crispy Chips/Bugles/Sticks Process Line** is a new technology that replaces traditional rice crackers with twin-screw extrusion technology. The automatic fried sticks production line integrates mixing, maturation, expansion and molding, and does not require a boiler.

## Equipment introduction

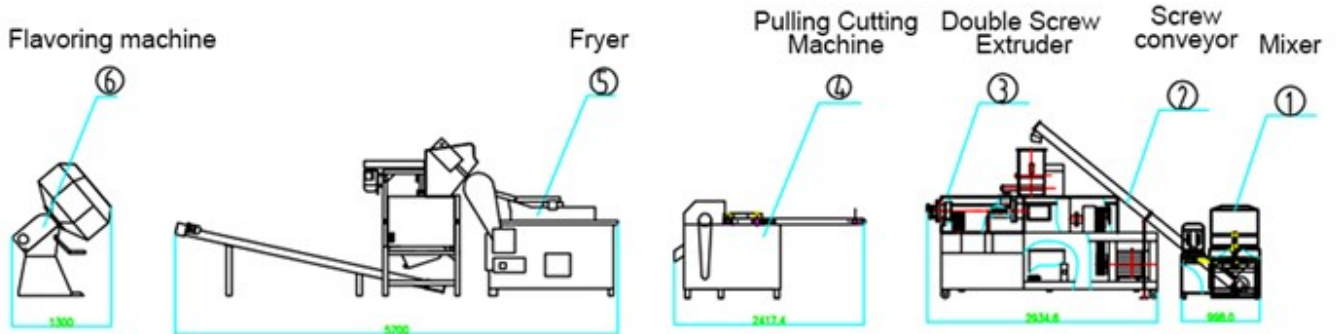
Crispy Chips/Bugles/Sticks Process Line is a new technology that replaces traditional rice crackers with twin-screw extrusion technology. The automatic fried sticks production line integrates mixing, maturation, expansion and molding, and does not require a boiler. The fried snacks production process is simplified, efficient, environmentally friendly and low-carbon. The raw material can be a single material such as rice flour, corn flour, flour, etc., or a mixture thereof. The shape can be changed only by changing the mold, forming machine and cutting machine: strip, corrugated square sheet, diamond sheet, wave sheet, pillow shape, horn shape, etc. The produced rice crackers, salad bars, salad chips, sharp corner crisps, wonderful crisp corners and other foods have various colors, and the taste is crisp and not greasy.



## Crispy Chips/Bugles/Sticks Process Line

## Process/equipment configuration

?Flour mixer??Screw conveyor??Double screw extruder?? Pulling cutting machine??Automatic fryer?? Flavoring machine



**Product show**



**Performance characteristics**

The commercial fried sticks snacks making machine is a new technology that replaces traditional rice crackers with twin-screw extrusion technology.

Full automatic crispy fried dough snacks production line integrates mixing, maturation, expansion and forming, and does not require a boiler. The fried dough sticks food production process is simplified, efficient, environmentally friendly and low-carbon.

The raw material can be a single material such as rice flour, corn flour, flour, etc., or a mixture.



### Product advantages

1. The design of the whole fried crispy dough food making machine is compact and reasonable, and the operation is convenient
2. International brand electrical devices, big brands, and reliable.