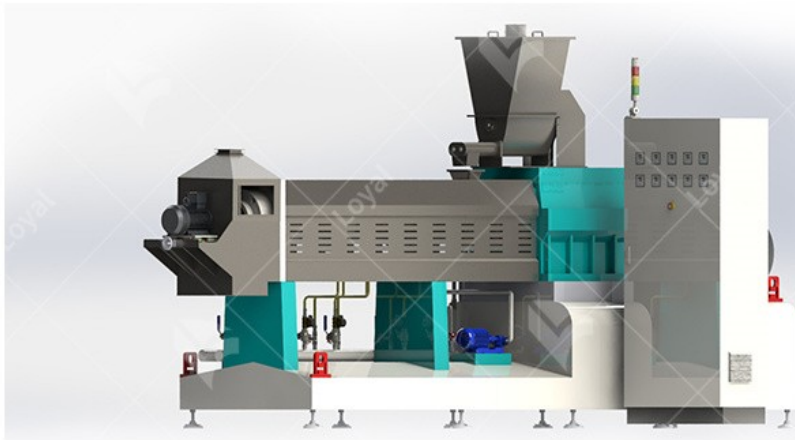


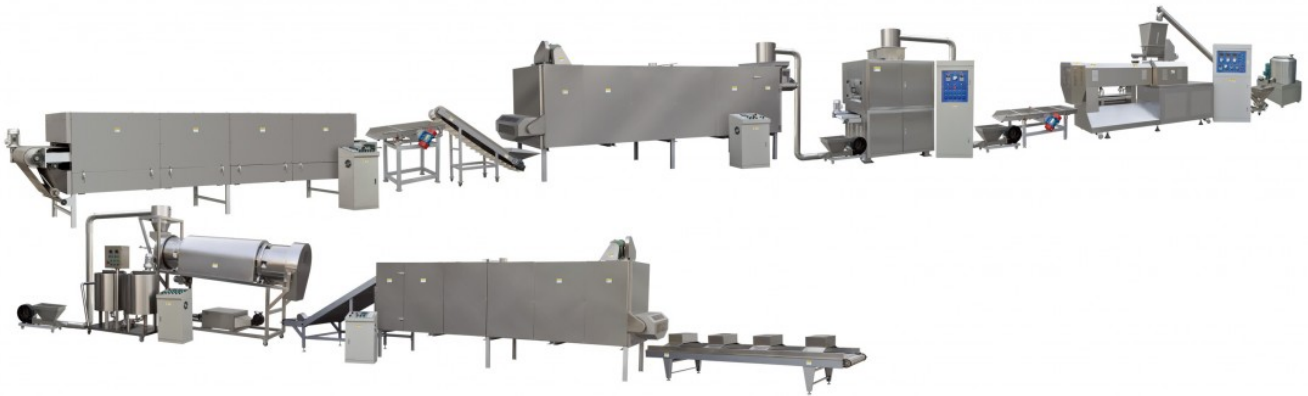
# Corn Flakes Production Line

A corn flakes production line is a series of machines and equipment designed to produce corn flakes, a popular breakfast cereal made from corn. A typical corn flakes production line may include several machines, such as a corn cleaning machine, a soaking tank, a steam cooker, a flaking machine, a drying machine, a toasting machine, a sugar coating machine, and a packaging machine. The entire process is automated and can be controlled using a central computer system. Overall, a corn flakes production line is a sophisticated piece of equipment that requires skilled operators and quality control measures to ensure the finished product is of high quality and meets food safety standards.



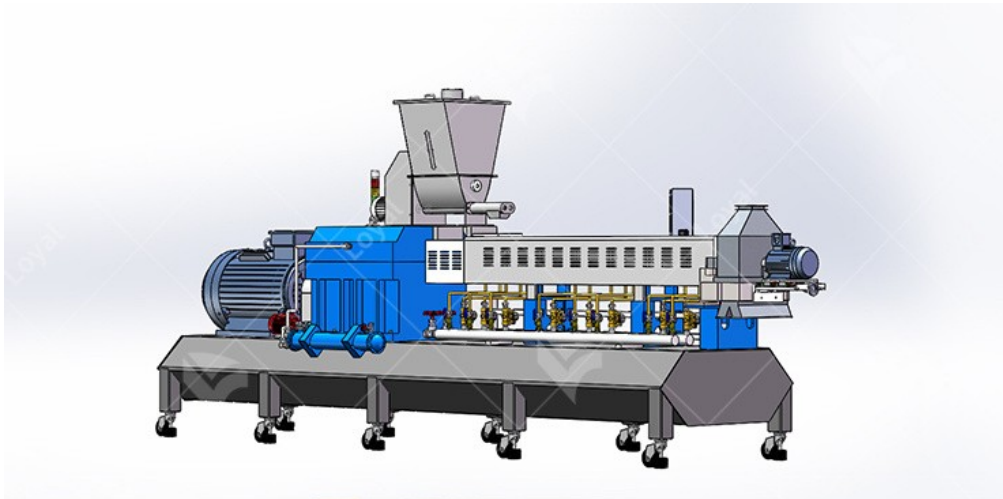
## The Flowchart Of Corn Flakes Process Line

1. Mixer ---
2. screw conveyor ---
3. Twin-screw extruder ---
4. Cooling Conveyor ---
5. Air conveyor ---
6. Flaking Machine ---
7. Air Conveyor ---
8. Pre-dryer ---
9. Hoister ---
10. Vibrate Feeder ---
11. Baking Machine ---
12. Sugar Sprayer ---
13. Multi-layer Oven ---
14. Cooling Conveyor ---
15. Packaging Machine



## The Function Of Corn Flakes Process Line

- 1. Cleaning and Conditioning:** The corn grains are first cleaned to remove any impurities and then conditioned by soaking in water to soften them.
- 2. Milling:** The corn is then milled to produce a fine grit or meal.
- 3. Cooking:** The milled corn is cooked in a steam-jacketed cooker to form a dough.
- 4. Flaking:** The cooked dough is then fed through a flaking machine, which flattens it into thin flakes.
- 5. Toasting and Drying:** The flakes are then toasted and dried in a large oven to remove any moisture and give them a crispy texture.
- 6. Coating:** The flakes are coated with sugar, salt, vitamins, and other ingredients to enhance their flavor and nutritional value.
- 7. Packaging:** Finally, the corn flakes are packaged in boxes or bags and sealed for distribution.



## The Parameter Of Corn Flakes Process Line

Model	Installed Power (kw)	Power Consumption (kw)	Output (kg/h)	Size (L*W*H) (mm)
LY65	140kw	90kw	120-150kg/h	39000*1200*2200mm
LY70	160kw	120kw	180-220kg/h	41000*1500*2200mm
LY85	190kw	140kw	300-500kg/h	43000* 3500*4300mm
LY90	240kw	190kw	800-1000kg/h	65000* 5000*4300mm



## The Advantage Of Corn Flakes Process Line

<b>High Production Efficiency</b>	The corn flakes process line is a highly efficient system that can produce large quantities of corn flakes in a short amount of time.
<b>Customization</b>	The process line can be customized according to the specific requirements of the customer. It allows the production of a wide range of corn flakes with different shapes, sizes, and flavors.
<b>Cost-effective</b>	The corn flakes process line is a cost-effective solution for

	large-scale production of corn flakes. It requires fewer resources and labor compared to traditional methods of making corn flakes.
<b>Consistency</b>	The process line ensures consistency in the quality, texture, and taste of the corn flakes produced.
<b>Hygienic</b>	The process line is designed to maintain high levels of hygiene and cleanliness throughout the production process, ensuring the safety of the final product.
<b>Versatility</b>	The corn flakes process line can be used to produce a variety of other breakfast cereals, such as wheat flakes, oat flakes, and rice flakes.

