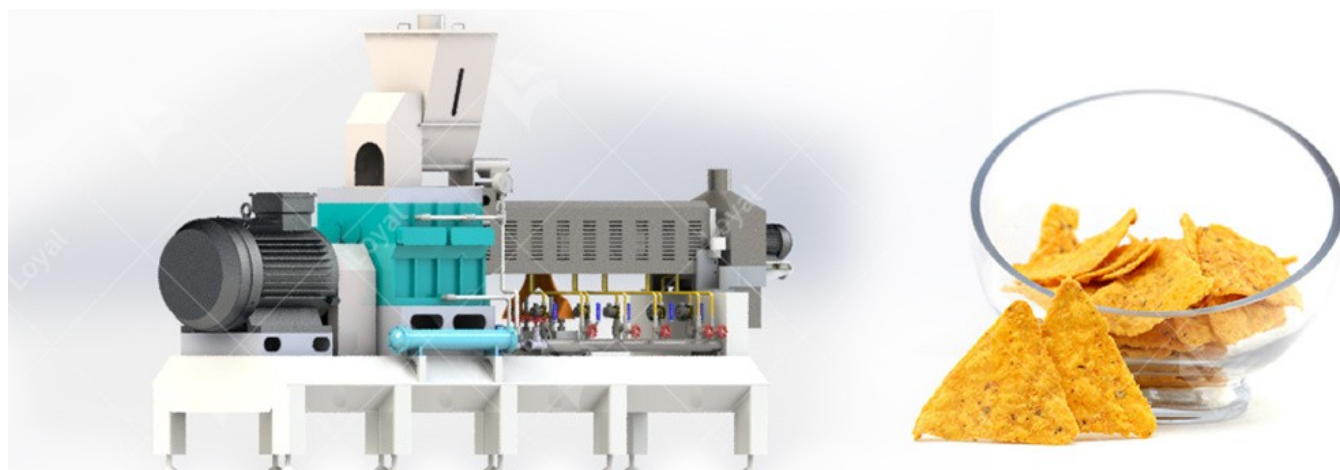


Fully Automatic Corn Doritos Tortilla Production Line

1.What Is Fully Automatic Corn Doritos Tortilla Production Line

Corn Doritos Tortilla Production Line. Doritos/tortilla/corn chips are kinds of snacks made from corn powder, which are cut and then fried.

The main raw materials are corn powder, vegetable oil, salt and water. Although usually made of yellow corn(as pictured), they can also be made of white, or red corn. After frying and flavoring, we get very crunchy triangle or other shapes chips which are popular with both children and adult.



2.Details Of Fully Automatic Corn Doritos Tortilla Production Line

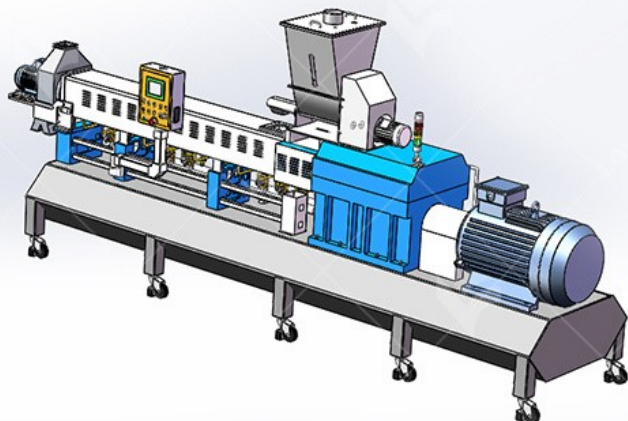
Raw Materials	Corn powder as usual
Capacity	120-150kg/h, 200-250kg/h
Voltage In China	Three phases: 380V/50Hz, Single phase: 220V/50Hz, we can make it according to customers' Local voltage according to different countries
Machines Materials	The machine is made by stainless steel.

3.Flow Chart Of Fully Automatic Corn Doritos Tortilla Production Line

Mixer--Double Screw Machine--Shaping Machine--Cooler--Fryer/Baking Machine--Flavoring Line

The Doritos are kinds of snacks made from corn powder, which are extruded, cutted and then fried or baked. The main raw materials are com powder,water, vegetable oil and salt. Although usually made of yellow corn, they can also be

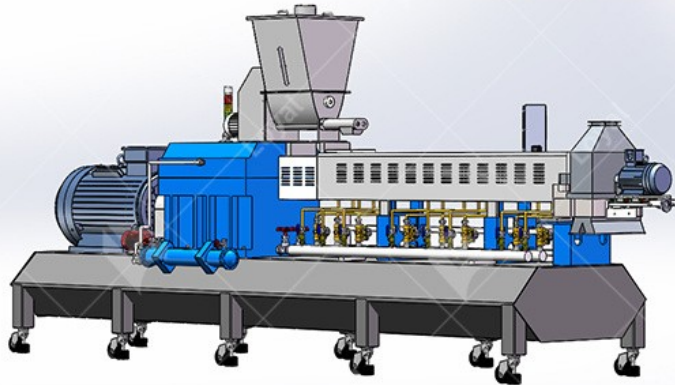
made of white or red corn or wheat flour. After frying and favoring, we get very crunchy triangle or other shapes chips which are popular with both children and adult.



No.	Machine	Function
1	Mixer	Mix the cornflour with water to prepare the flour for the Doritos.
2	Double Screw Machine	Compression and friction generate a lot of heat, and the rotating mold twists and rolls the flour before extrusion, forming an irregular shape.
3	Shaping Machine	Forming Doritos in different shapes according to the mould.
4	Cooler	Doritos for cooling and removing moisture
5	Fryer/Baking Machine	Reheat and continue to fry or bake evenly for crispness and flavour.
6	Flavoring Line	Add the desired seasoning to give it a different flavour.

4. Advantages Of Fully Automatic Corn Doritos Tortilla Production Line

All machines are made of food-grade stainless steel and the conveying lift is also made of food-grade PVC. The entire production line is made of safe and harmless materials selected by our technical procurement staff after careful selection. The internal accessories are all made of well-known domestic brands and are of high quality.



5. Machine Parameters Of Doritos Snacks Production Line

Model	Output	Size (L*W*H)	Main Power
LY65	120--150kg/h	22000x1200x2200mm	22KW
LY70	200-250kg/h	24000x1500x2200mm	37KW
LY85	400-500kg/h	23000*1500*2300mm	37KW
LY75	300-500kg/h	23000*1500*2800mm	37KW

6. Application Of Fully Automatic Corn Doritos Tortilla Production Line

All shapes of Doritos, shapes like round, triangle, Hexagon ect. The size of products can be change according to clients' requirements.

