

## **300 kg/h Automatic pet food processing equipment will be sent to Argentina**

**300 kg/h Automatic pet food processing equipment will be sent to Argentina by Shandong Loyal Industrial Co.,Ltd., we provide latest information about the products regularly.**

In October last year, we received an inquiry about pet feed at mic. We learned that he is from Argentina. He wants to do pet dog feed, and he wants different shapes of feed. Of course our loyal can meet it, I told He just needs to change the shape of the mold, we can provide molds of different shapes. In this regard, Argentine customers are very satisfied with the quality of our machines, and finally sold a 300 kg/h Automatic pet food processing equipment

For Argentine customers, he currently has a mid-level factory. He was not engaged in this industry before. He was engaged in the clothing industry before. Due to the impact of the epidemic, the import and export trade of clothing was not ideal in Argentina, so he wanted to switch to In the pet feed industry, out of his understanding of the domestic market, he keenly discovered that pet feed has a broad prospect. So he tried to develop in this field. After many consultations, Argentine customers found our loyal.

Since he's dabbling in the field at one time, he's wary of various things. He first asked me how to configure the ingredients. He was worried that he had bought the machine and didn't know how to produce the feed. So I provided him with the raw material configuration plan, and told him that we have 10 years of export experience in Argentina, and that we have a certain understanding of the Argentine market, and are familiar with their local culture and customs. I believe I can provide The program will definitely adapt to the needs of the market. He said he believed in me and was happy to accept the offer.



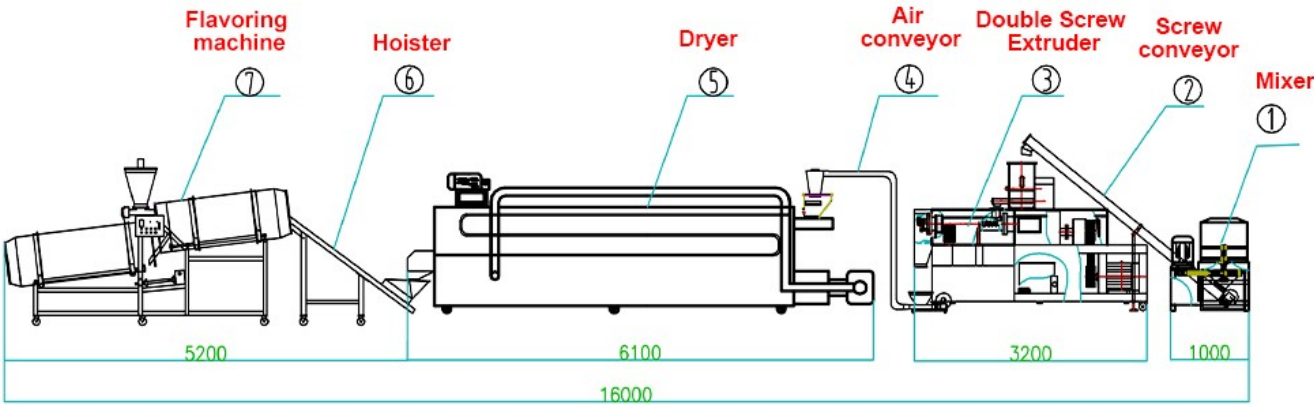
300 kg/h Automatic pet food processing equipment will be sent to Argentina

Pet food formula	
Ingredient	Proportion
Corn flour:	30%
Wheat Flour :	20%
Fish meal:	30%
Meat and bone meat:	10%
Water:	20%
Fish oil:	5%
wheat bran	5%

1. Automatic pet food processing equipment can also produce different fish for bream, ornamental fish, goldfish, shrimp, prawns, and other fish in various
2. Automatic pet food processing equipment can not only improve feed efficiency

	importantly, farmers can see what cattle, sheep, and other animals eat so overfeeding and reduce feed waste.
3.	Automatic pet food processing equipment can use more raw materials, can use wheat flour, low-temperature soybean meal, rice bran, wheat bran as raw materials.
4.	The Automatic pet food processing equipment is highly productive and low steam and electricity design. High temperature and high pressure can kill bacterial infection.

After that, I introduced the process and technology of our production line in detail to Argentine customers. At the same time, he also expressed that he was very interested in our machine and was very willing to buy it, but as a novice in the feed manufacturer industry, he was not confident in himself. I provided him with the installation guide and layout according to the plant size provided by him. After receiving it, he expressed his confidence in joining the industry.



Pet food making machine process

Machines Price For The Automatic pet food processing equipment				
Pet food processing equipment Model	LY65	LY70	LY85	LY95

Whole line weight(kg)	2000	3000	4000	5000
Pet food line price	US\$22,000.00	US\$32,000.00	US\$40,000.00	US\$48,000.00
Capacity(kg/h)	120-150	240-260	500-600	800-1000
Total power(kw) Electric baking type	65kw	70kw	80kw	110kw

When the Argentine customer was still a little hesitant, I provided him with more detailed information. He didn't have to worry about the motor and other parameters. Finally, we sold a 300kg/h pet food production line. The shipping period is about 30 days, and soon he received our machine, which is now in normal production. He said that he is very happy to cooperate with our loyal.



300 kg/h Automatic pet food processing equipment in Argentina's customer factory

THE TECHNICAL PARAMETERS OF PET FOOD PROCESSING EQUIPMENT			
Model	Installed Power (KVA)	Power Consumption (kw)	Capacity (kg/h)

LY65	80	58	140-160
LY70	105	70	240-260
LY85	115	80	500-600
LY95	130	110	800-1000
LY120	250	180	2500-3000
LY135	300	200	4500-5000