

## 200KG/H Puffs Cheese Snacks Production Equipment Will Be Sent To Malaysia

**200KG/H Puffs Cheese Snacks Production Equipment Will Be Sent To Malaysia by Shandong Loyal Industrial Co.,Ltd. , we provide latest information about the products regularly.**

Malaysian customer asked the price of puffs cheese snack production equipment in China, and then found our agent in Malaysia. Malaysian customers have purchased nutritional bar production lines in China in 2018. The customer is a food company with three factories, mainly producing casual snacks. The Malaysian customer factory has existing nutrition bar production equipment and biscuit production equipment. Now the business is getting better and better, so I want to expand production and increase our automatic corn puff snacks flavouring making machine.

Our company's roasted crispy corn puff snack food machine can produce ordinary puffed snacks, as well as core filling puffed snacks. Therefore, the most frequently asked question by Malaysian customers is the configuration of the multi functional corn puff snack machine. Adding a filling machine and a cutting machine to the ordinary puffed snack production line can produce core-filled snacks. If the customer wants to season the surface of the snack, they can add the seasoning line at the end of the 200kg/h puffs cheese snack production equipment.

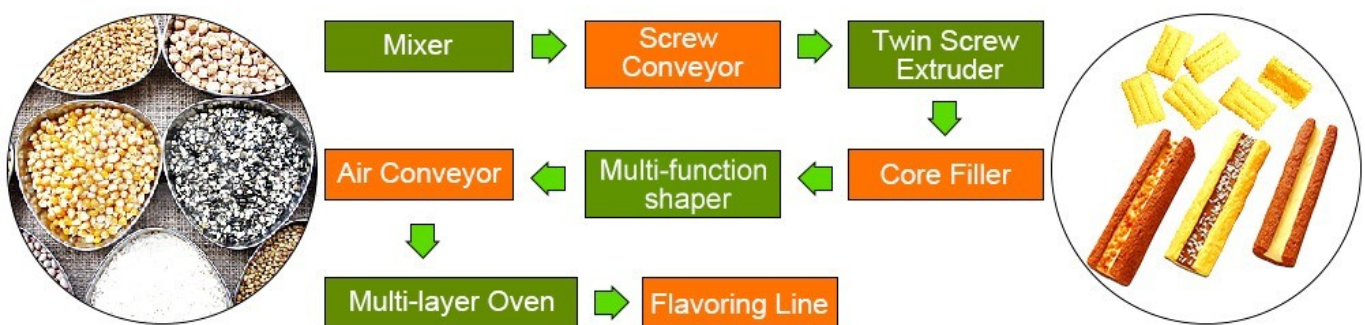
Our company has nearly 10 years of export experience in the Malaysian market.



200KG/H Puffs Cheese Snacks Production Equipment Will Be Sent To Malaysia  
Malaysia is a leading global halal food hub. The relationship between China and Malaysia is getting closer and closer in the win-win cooperation under the "Belt and Road" initiative! Data

show that in 2018, the trade volume between Malaysia and China reached US\$108.6 billion, a record high. At the time of the establishment of diplomatic relations, the trade volume between the two countries was only 122 million US dollars in 1975. By 2018, the bilateral trade has achieved an increase of about 890 times. Many Malaysian and foreign food manufacturing companies have their factories in Malaysia to produce food for local and overseas markets.

During the negotiation, the customer asked for the video of the multi functional corn puff snack machine, We also gave him the flow chart of the 200kg/h puffs cheese snack production equipment.

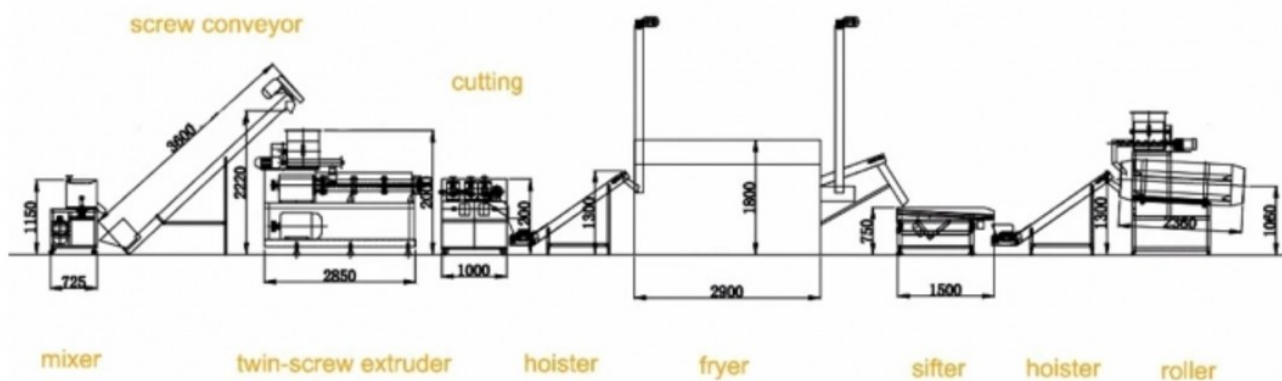


I introduced the advantages and formula of production line to the customer:

Features Of Cheetos Making Machine	
1	The design is reasonable, the structure is compact, and the operation is effortless.
2	The operation is highly automated. Only one or two people can complete the processing process
3	Stable performance and reliable quality. It is carefully researched and developed by a professional food processing.
4	Low cost, high efficiency, low energy consumption to ensure the whole process from feed to finish
5	The machine's output can be changed by configuring more extruders on one production requirements.
6	Cheetos making machine are made of stainless steel, and the screws are made of alloy steel structure and self-cleaning function

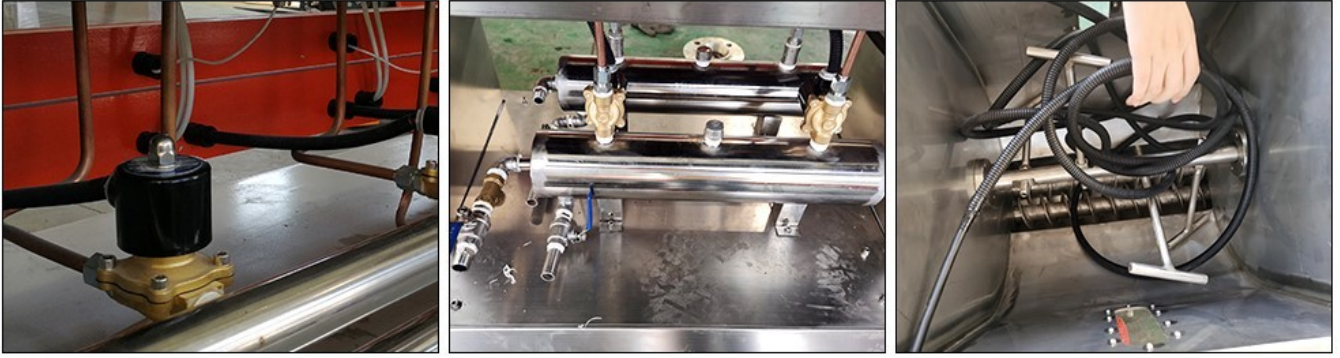
Cheetos Puffs Ingredients
Ordinary puffing snacks

Ingredient	Proportion
Rice flour:	50%
Corn flour:	30%
Flour?	20%
French chalk:	0.2%
Water:	2~3%
Candied element:	0.2%(water-s)
Jam Center Material ingredients(Chocolate Taste):	
chocolate plate :	70%
Cacao grease :	20%
Sugar powder:	1%
Jam Center Material ingredients(Peanut Taste):	
Palm oil:	30%
Sugar powder:	30%
Peanut butter:	40%



We have configured high-quality motors for Malaysian customers:

ABB Motor Of Automatic Cheese Puff Snack Production Line		
1	Package Level 1 Units:	0 carton
2	Product Name:	3-Phase squirrel cage motor
3	Product Net Weight:	5.9 kg
4	Product Type:	3AA2_M3AA_IE2_AA
5	SCIP:	27ac6190-e1ce-4080-8654-6552aaabbe58 Finland
6	Selling Unit of Measure:	piece
7	Standards:	IEC 60034-1
8	Starting of Motor:	Direct Online



We will deliver the goods to our customers next week, I hope our customers in Malaysia can have a successful snack business.